

NOTICE DE MONTAGE / INSTALLATION INSTRUCTIONS

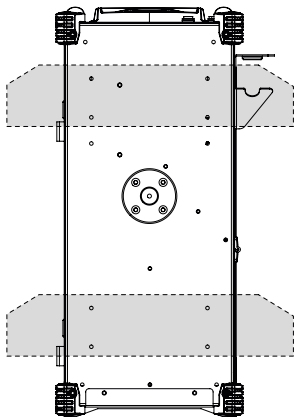
 **M6x10**  
(x24)

 **M6**  
(x16)

 **M6x12**  
(x8)

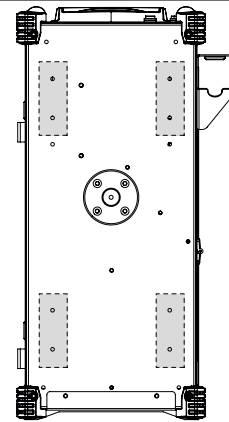
**ROLLERS (ref. 047020)**

- ✓ NEOFEED
- ✓ EXAFEED
- ✓ GENFEED
- ✓ PULSFEEED

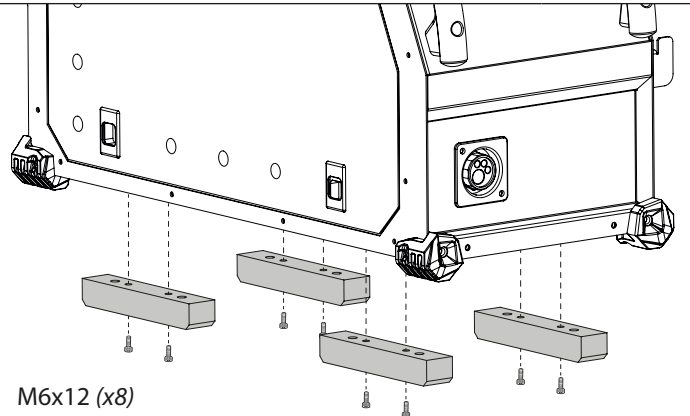
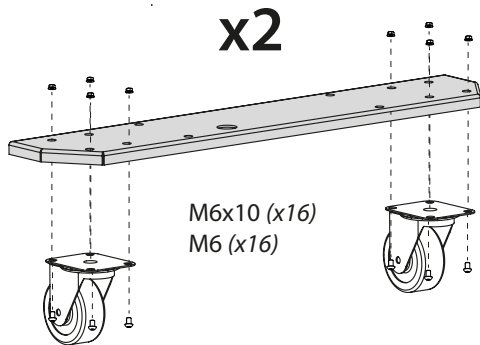


**SKI (ref. 047037)**

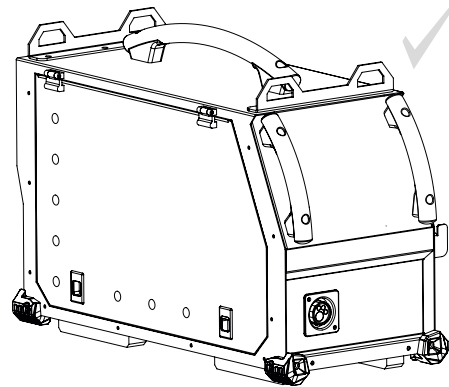
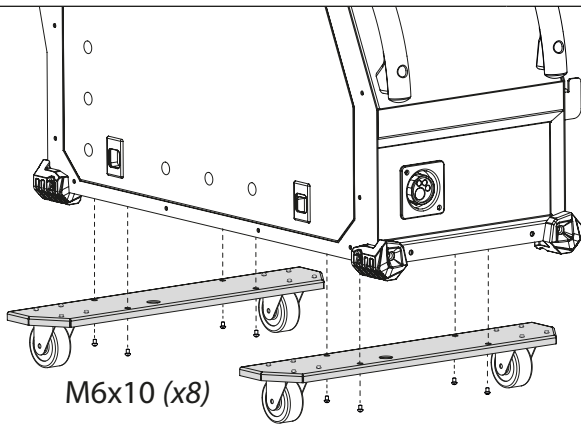
- ✓ NEOFEED
- ✓ EXAFEED
- ✓ GENFEED
- ✓ PULSFEEED



1



2



3

